

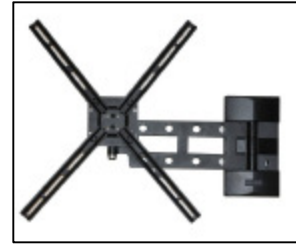
INSTALLATION BROCHURE (IB)

Dear Customer,

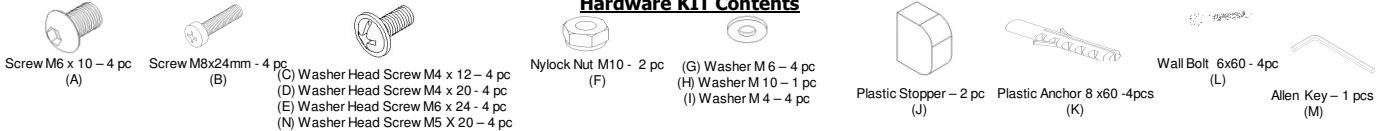
Thankyou for choosing a quality product from Swiveltelli product range. Please read the instruction manual carefully before proceeding with the installation. Please verify that below listed item in your box when opened to ensure that all parts are received in a good condition.

| Supplied Parts | Qty |
|--------------------------|------------|
| Back Wall Plate Assembly | 1 Unit |
| LCD/LED VESA Plate | 1 Unit |
| Back Covers | 1 Unit |
| VESA Extension Plate | 4 Unit |
| Hardware KIT | 1 Unit |

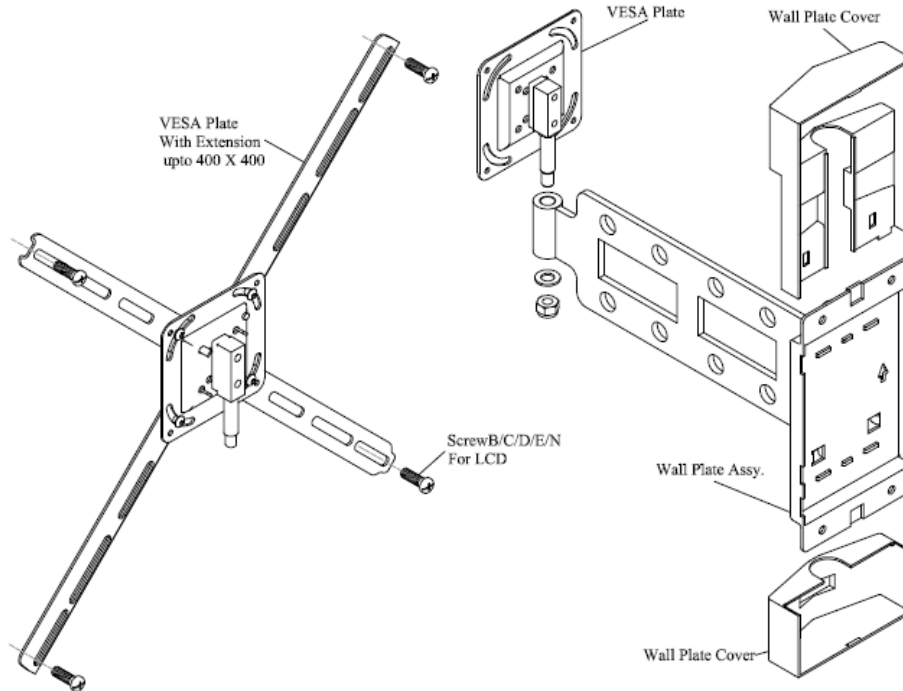
Model No. R 9840-1



Hardware KIT Contents



ASSEMBLY



VESA Suitability – 400x400, 300x300, 300x200, 200x200

Installation Guidelines:

- | | |
|---|-------------------------|
| 1. Place the Back Plate on the wall at the desired Height. | |
| 2. Check the straightness with the help of water level. | |
| 3. Mark the Holes for mounting on the wall and use the drill bit of 8mm to drill holes. | |
| 4. Mount the Wall Bracket to the wall with the help of hardware provided. | → L, K and G |
| 5. Fix The VESA Extension plate in case required. For VESA of 100mmx100mm, extension plate not required. If more, than fix the extension plate with the VESA plate using the hardware provided. | → A and M |
| 6. Place the LCD/LED face down carefully on the soft cloth/cushion. | |
| 7. Place the VESA mounting plate assemble at the back of the LCD/LED matching the mounting holes. | |
| 8. Adjust the VESA extension plate, if required. | |
| 9. Tighten the VESA Mounting Plate assembly to the LCD / LED with the help of screw provided. | |
| 10. Ensure the screws are fully tight. | → B or C or D or E or I |
| 11. Place the VESA mounting assembly on the wall mount assembly as shown & secure properly. | |
| 12. Place the Wall Plate Cover on the Wall Plate as shown. | → F and H |
| 13. Place the Plastic Stopper on the wall plate in the slot provided. | → J |

Hardware Used

Things To take care.

- The weight capacity of the wall mount is upto 35kg.. Putting extra weight can result in product damage or personal injury.
- Mount should be installed by trained technician by following the installation guidelines properly.